

Generator Connection No.	Generator Frequency	Dummy Antenna	Instructions.
--------------------------	---------------------	---------------	---------------

- Remove the record player turntable from its spindle then remove the six screws fastening the plastic mount plate to the cabinet base. Removal instructions are detailed on the later pages of this bulletin.
- To control grid of 6BD8 valve (pin No.2.) 455 Kc/s. 0.01MF Mica capacitor in series with generator. Leave grid wire attached to valve socket. Peak 2nd IF. trans. pri. and sec. for max.output.
- To control grid of 6BD6 valve (pin No.7.) 455 Kc/s. 0.01MF Mica capacitor in series with generator. Turn tuning drum until perm. tuner iron cores are out of the windings on coil formers and the unit is hard against the stop. Leave the grid wire attached to valve socket. Peak 1st IF. trans. pri. and sec. for max. output. Repeat operations 2 and 3.
- Refit the receiver chassis to the plastic mount plate.

DIAL DRUM SETTING.

Turn dial drum toward the rear of the plastic mount plate until the perm. tuner iron cores are out of the windings on the coil formers and the unit is hard against the stop. The end of travel spot on dial reading near 1700 Kc/s. is to align with the indicator arrows moulded on the top of the plastic mount plate. The dial drum is adjusted by loosening off the screw through the slot in the drum

BROADCAST ALIGNMENT.

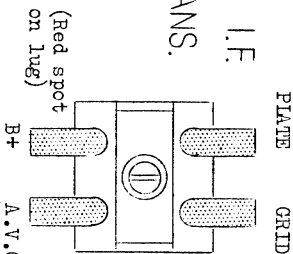
NOTE:1 Dummy Antenna: The 200MF dummy antenna must not be connected to the free end of the 25 ft. antenna during alignment. The dummy antenna must be connected to the antenna junction lug on the chassis. It is not necessary to have the 25 ft. antenna connected to the receiver during alignment. If the 25 ft. antenna is connected it must be rolled into a small hank.

NOTE: 2. The antenna and oscillator trimmer condensers are accessible through the two holes in the plastic mount plate on the right hand side of the control knobs. The oscillator trimmer being nearest to the front edge of the mount plate.

NOTE: 3. Both iron cores are pre-set at the factory to an exact dimension of 2.275" between the extreme end of the former protruding through the rubber grommet, and the end of the iron core in the former, when the unit is turned hard against the stop. If incorrect logging and misalignment are to be avoided, no adjustment of the iron cores must be made to vary this dimension. Both iron cores must have the same colour identification spot on the end of the iron core.

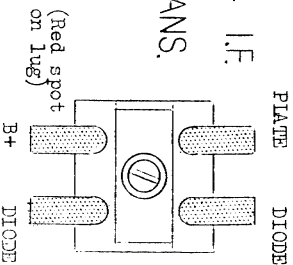
- | Operation No. | Generator Connection | Generator Frequency | Dummy Antenna | Instructions. |
|---------------|------------------------------------|---------------------|---|---|
| 1. | To antenna junction lug on chassis | 1000 Kc/s. | 200MF Mica capacitor in series with generator | Turn tuning drum until alignment spot at 1000 Kc/s. aligns with moulded arrows on top of plastic mt. plate peak oscil coil trimmer cond. then peak antenna coil trimmer cond. for max. output. Re-peak oscil. coil trim.cond. |
| 2. | | | | Tuning range after alignment 535 - 1640 Kc/s. |
| 3. | | | | Refit plastic mount plate with receiver attached to the cabinet. |

1ST I.F. TRANS.



A.V.C. (Junction of Circuit Nos. 21, 9 and 25.)

2ND I.F. TRANS.



DIODE TRIMMER (Junction of Circuit Nos. 29 and 25.)

MODEL—EML

A38a

PLAY - GRAM

FOR OPERATION FROM:

- 200-240 Volt 40 or 50 Cycle Supply Mains (Power Transformer T146)
Power Trans. Primary Mains Tap-red-commor.
" " " " -green 200V. mains
- 230-250 Volt 40 or 50 Cycle Supply Mains (Power Transformer T149)
Power Trans. Primary Mains Tap-red-commor.
" " " " -green 230V. mains.
" " " " -black 250V. mains.

POWER CONSUMPTION:

- Radio Operation: 20 Watts - approx.
- Gramo Operation: 40 Watts - approx.

TUNING RANGE:

535 - 1640 Kc/s. : 560.7 - 162.9 Metres.

ALIGNMENT PROCEDURE.

EQUIPMENT:

- Signal Generator: 7000 ohms
- Output Meter : 50 Milliwatts
- Mica Capacitor : 0.01MF (for IF. trans. alignment)

ALIGNMENT CONDITIONS

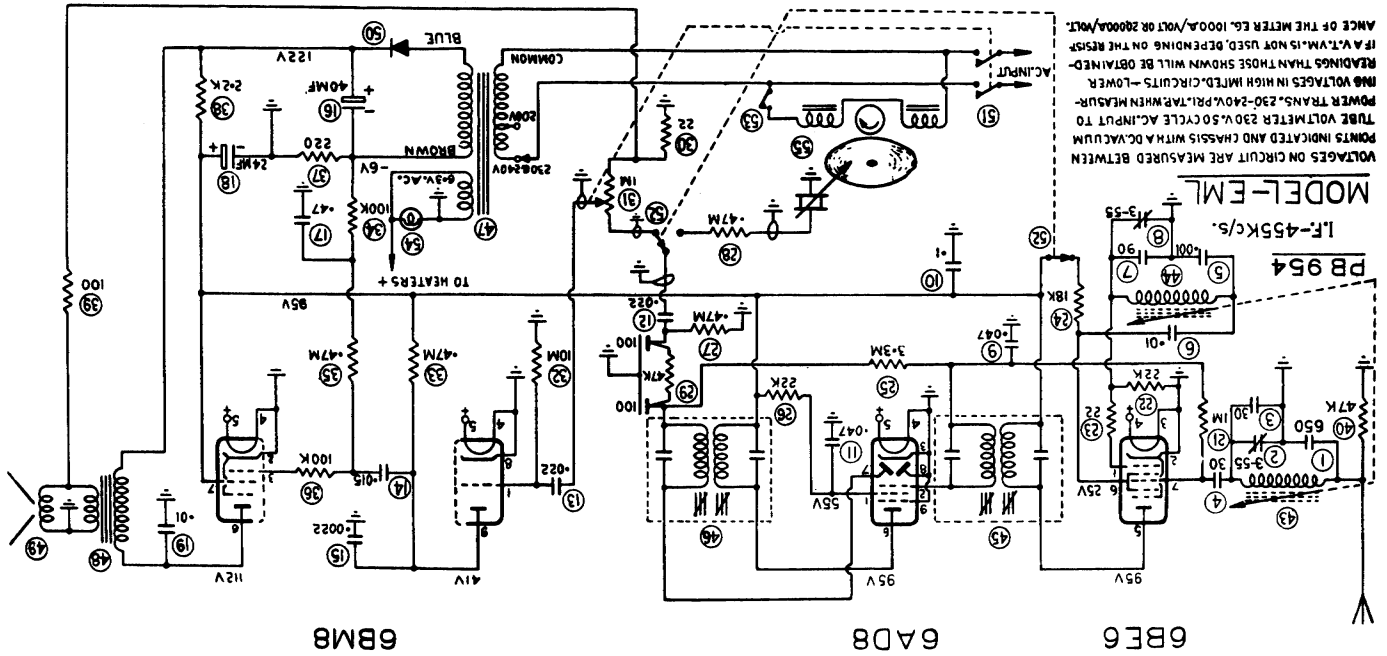
- Dummy Antenna : 200MMF Mica capacitor.
- Straight Alignment : Type FM581
- Flexible Alignment : Type 48/712
- Intermed. Freq: 455 Kc/s.
- Input Voltage : 230 Volts.
- Input to trans. : 50 Cycle AC.
- 230-240 volt. pri. tap.

Gramo/Radio Switch:

Radio position (clockwise)

IF TRANS ALIGNMENT.

NOTE: The plastic mount plate to which the record player unit and the receiver chassis are mounted has to be removed from the cabinet to align the IF. transformers.



VOLTAGES ON CIRCUIT ARE MEASURED BETWEEN POINTS INDICATED AND CHASSIS WITH A DC VACUUM TUBE VOLT METER 230V. 50 CYCLE AC INPUT TO POWER TRANS. 230-240V. PRL. TAP WHEN MEASURED. NO VOLTAGES IN HIGH INTED. CIRCUITS - LOWER READINGS THAN THOSE SHOWN WILL BE OBTAINED IF A V.T.M. IS NOT USED. DEPENDS ON THE RESISTANCE OF THE METER EG. 1000Ω/VOLT OR 2000Ω/VOLT.

